

ILLUSTRATED PARTS LIST

MODEL NUMBER HU775H

PRODUCT NUMBER 961 45 00-10

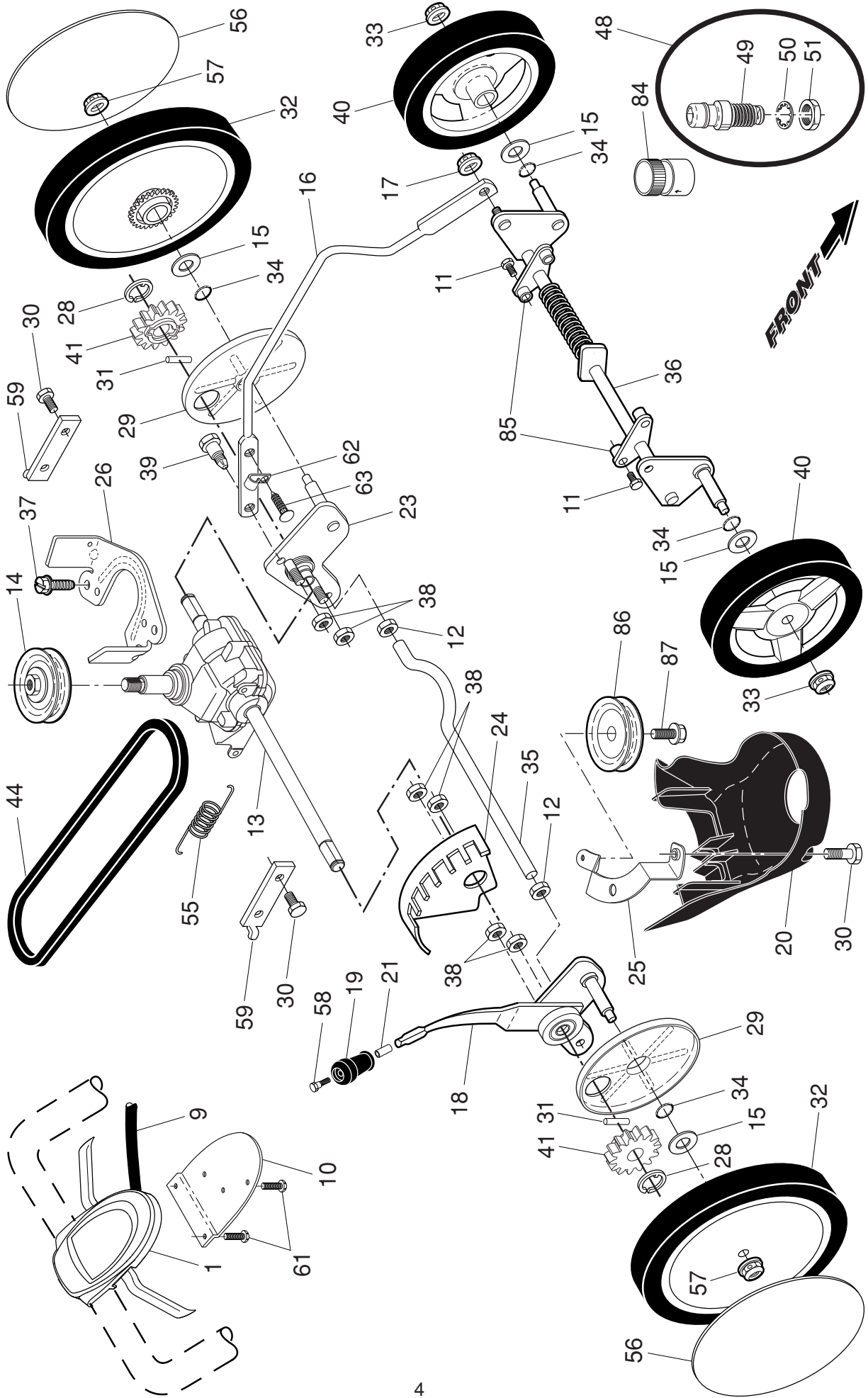
MFG. ID. NUMBER 96145001000

HUSQVARNA ROTARY LAWN MOWER - MODEL NO. HU775H (96145001000) PRODUCT NO. 961 45 00-10

KEY PART NO.	KEY PART NO.	DESCRIPTION	DESCRIPTION	KEY PART NO.	KEY PART NO.	DESCRIPTION
1	581 84 47-01	Upper Handle Assembly	Upper Handle Assembly	42	532 19 30-00	Spring, Torsion
2	532 42 74-97	Cable, Engine Zone Control	Cable, Engine Zone Control	43	532 19 17-30	Nut, Hex
3	532 43 00-34	Bracket, Upstop	Bracket, Upstop	44	532 44 62-61	Kit, Lawn Mower Housing
6	532 18 23-98	Handle Knob, Star	Handle Knob, Star	45	532 17 56-50	Rod, Hinge
7	532 17 88-48	Screw, Hex Washer Head #10-16 x 5/8	Screw, Hex Washer Head #10-16 x 5/8	46	581 09 85-01	Blade Adapter
		Control Bar, Molded	Control Bar, Molded	47	580 24 40-01	Blade, 22"
8	580 84 91-02	Rear Door Assembly	Rear Door Assembly	48	532 85 10-74	Washer, Hardened
9	532 43 13-90	Hairpin, Door/Handle Pivot	Hairpin, Door/Handle Pivot	49	532 85 02-63	Washer, Helical
11	532 42 55-75	Handle Knob, Standard	Handle Knob, Standard	50	532 85 10-84	Screw, Machine, Hex Head 3/8-24 x 1-3/8 Grade 8
12	532 19 19-38	Plug, Lower Handle Bar	Plug, Lower Handle Bar			Front Baffle
13	532 43 75-16	Rear Baffle	Rear Baffle	51	581 23 89-01	Decal, Warning
17	532 43 12-38	Keps Locknut 1/4-20	Keps Locknut 1/4-20	52	532 40 47-63	Screw
18	532 13 20-04	Rope Guide	Rope Guide	53	532 43 73-45	Screw, Hex Washer Head #13 x 3/4
19	532 19 47-88	Rear Skirt	Rear Skirt	56	817 41 13-12	Nut, Hex
20	532 44 45-37	Spring, Rear Door, LH, Black	Spring, Rear Door, LH, Black	57	532 15 53-77	Lower Handle
21	532 41 99-49	Screw, Panhead, Torx #20	Screw, Panhead, Torx #20	58	532 44 11-97	Handle Bolt
22	532 14 18-41	Spring, Rear Door, RH, Grey	Spring, Rear Door, RH, Grey	59	532 19 15-74	Engine, Briggs & Stratton, Model Number 111P02-0116-F1
24	532 41 99-48	Screw, Rear Door/Handle Pivot	Screw, Rear Door/Handle Pivot	64	- - -	(For engine service and replacement parts, call Briggs & Stratton at 1-800-233-3723)
26	532 41 99-45	Bolt, Carriage 5/16-18 x 5/8	Bolt, Carriage 5/16-18 x 5/8			Screw, Hex Washer Head
28	872 25 05-05	Grassbag	Grassbag			#13 x 3/4
30	580 94 34-04	Frame, Grass Catcher	Frame, Grass Catcher			Nut, Hex
31	532 41 99-51	Latch, Mulcher Door	Latch, Mulcher Door			Lower Handle
32	532 44 11-92	Mulcher Door	Mulcher Door			Handle Bolt
33	532 41 99-27	Bracket, Grassbag	Bracket, Grassbag			Engine, Briggs & Stratton, Model Number 111P02-0116-F1
34	532 43 81-34	Hinge Bracket Assembly	Hinge Bracket Assembly			(For engine service and replacement parts, call Briggs & Stratton at 1-800-233-3723)
36	532 17 57-35	Screw, Hex Head 1/4-20	Screw, Hex Head 1/4-20	83	532 75 00-97	Screw, Hex Washer Head
37	817 00 05-10	Discharge Guard	Discharge Guard	84	532 42 81-24	Fastener, Push
38	532 42 61-29	Handle Bracket, LH	Handle Bracket, LH	85	532 43 45-30	Mounting Bracket,
39	581 35 37-02	Handle Bracket, RH	Handle Bracket, RH			Rear Skirt
40	581 35 36-02	Screw, Dogpoint 3/8-16 x 1-1/8	Screw, Dogpoint 3/8-16 x 1-1/8			Clip, Cable
41	532 15 04-06			96	532 19 79-91	Belt Keeper
				97	581 11 53-02	Front Shroud Assembly
				99	532 43 73-89	Operator's Manual, English / French
				- -	115 53 96-49	Operator's Manual, Spanish
				- -	115 53 96-31	

NOTE: All component dimensions given in U.S. inches. 1 inch = 25.4 mm. **IMPORTANT:** Use only Original Equipment Manufacturer (O.E.M.) replacement parts. Failure to do so could be hazardous, damage your lawn mower and void your warranty.

HUSQVARNA ROTARY LAWN MOWER - MODEL NO. HU775H (96145001000) PRODUCT NO. 961 45 00-10



HUSQVARNA ROTARY LAWN MOWER - MODEL NO. HU775H (96145001000) PRODUCT NO. 961 45 00-10

KEY PART NO.	DESCRIPTION	KEY PART NO.	DESCRIPTION
1	532 43 09-95 Drive Control Assembly (Includes Cable)	34	532 19 74-80 O-Ring
9	532 43 16-50 Cable, Drive	35	532 43 05-98 Axle, Rear
10	532 43 27-90 Mounting Bracket, Drive Control	36	532 44 71-89 Axle, Front
11	817 41 13-12 Screw	37	532 16 34-09 Screw, Hi-Lo Thread, 12 x 5/8
12	873 94 08-00 Nut, Hex	38	532 19 17-30 Nut, Hex
13	581 68 08-01 Gearcase Assembly, Complete	39	532 40 70-59 Bolt
14	532 19 41-28 Pulley, Drive	40	532 41 08-31 Wheel & Tire Assembly, Front
15	532 08 83-48 Washer, Flat	41	532 42 87-83 Pinion
16	532 43 00-30 Rod, Connecting	44	532 40 65-57 Belt, Drive
17	532 75 11-53 Nut, Hex	48	532 43 84-89 Kit, Water Washout Assembly
18	581 90 17-01 Selector Assembly	49	532 43 49-94 Fitting, Water Washout
19	532 43 39-96 Knob, Wheel Adjuster	50	532 41 55-85 Washer, Lock, Internal Tooth
20	532 42 70-23 Debris Shield	51	532 41 55-86 Locknut, Hex, with O-Ring
21	532 43 52-42 Anchor	55	581 35 13-01 Spring, Tension
23	532 42 89-90 Wheel Axle Assembly, LH	56	532 44 13-33 Hubcap
24	532 43 35-11 Bracket, Height Adjustment	57	532 40 91-49 Nut, Flangelock 3/8-16
25	581 31 38-02 Mounting Bracket, Debris Shield	58	532 43 52-41 Bolt, Shoulder
26	532 42 60-66 Belt Keeper	59	532 44 21-13 Support Bracket
28	812 00 00-58 E-Ring 7/16	61	532 18 16-98 Screw
29	532 42 87-81 Cover, Dust, Wheel	62	532 19 79-91 Clip, Cable
30	817 00 05-10 Screw, Hex Head	63	532 42 81-24 Fastener, Push
31	532 40 48-45 Pawl, Drive	84	532 41 64-05 Adapter, Water Washout
32	581 33 67-01 Wheel & Tire Assembly, Rear	85	532 43 90-77 Support Bracket, Front Axle
33	532 40 91-48 Nut, Flangelock 3/8-16	86	580 36 43-01 Pulley, Idler
		87	581 12 76-01 Screw

NOTE: All component dimensions given in U.S. inches. 1 inch = 25.4 mm. **IMPORTANT:** Use only Original Equipment Manufacturer (O.E.M.) replacement parts. Failure to do so could be hazardous, damage your lawn mower and void your warranty.